

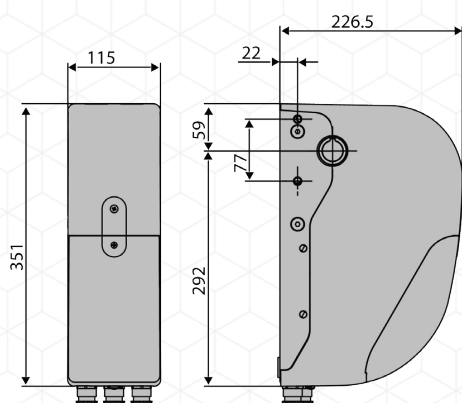
NEW OPERATOR BFT ARGO 24V FOR INDUSTRIAL DOORS

Dear customer,

We launched into our product range new 24V electromechanical operator for sectional industrial doors, which is thanks to its favourable price more competitive than the previous solution. This operator is dedicated for operations with fewer number of cycles per hour (max. 10 / h).

This operator contains the control system of the torque D-Track connected with an absolute encoder, which ensures exceptional accuracy of handling of the movement of the door leaf and the detection of obstacles. The robust mechanical construction and the microprocessor technology of the control unit ensure long-term reliability.

- 24V technology enables the use of 24V backup power source (on-request) compared to the expensive 230V backup resources.
- Detection of obstacles without any additional safety features (optical and pneumatic protection of the bottom edge of the door leaf).
- Easy installation and programming by buttons and display.
- Usable for all lift types of industrial doors up to max. surface 12m² (165Kg).
- Three different options of bringing the wiring into the motor head make the installation easy in difficult (cramped) conditions on the site.
- The use of resistant materials.
- Handling in safe mode is solved by a rope or cable (unlocking from the transmission).
- There is already built-in two-channel remote control receiver 433 MHz with memory for 63 pcs of remote controls in the operator. For extensions by the remote control is enough just buy a remote controller.



The price of new operator is 455,60 EUR, brutto.

Technical specifications	
Operating conditions	-15 °C to 55 °C
Protection category	IP40
Supply voltage	230V 1Ph 50Hz
Plug-in type	CEE 7/3 or CEE 7/5
Motor power supply	24 V
Type of end switch	elektronic
Revs on the output	30 RPM